

Heat Conducting Socket

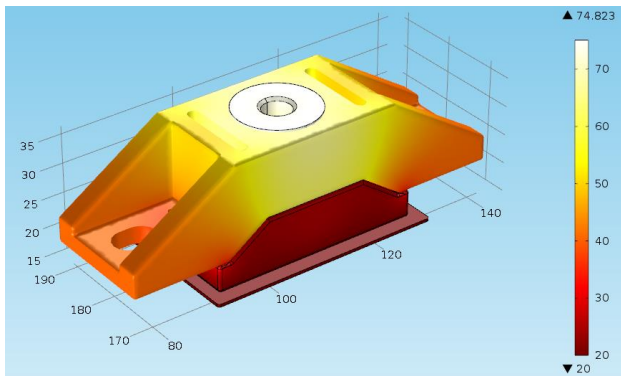
Product Description

The heat conducting socket allows not only for a fixation of busbars or fuses. In comparison to the current state of the art this product allows heat conduction. This leads to a significant temperature drop on the busbars, which leads to a higher life time and a higher performance in any closed cases where no active cooling is applicable.

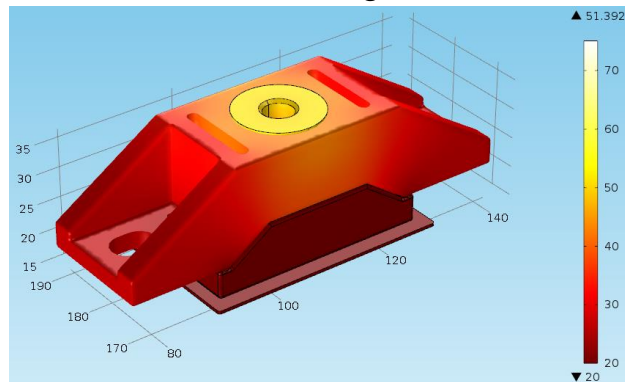
Technical Data

Material	CP6
Dielectric strength	>4 KV
Thermal conductance	4 W/mK

Standard socket



Heat conducting socket



Contact information

Eugen Forschner GmbH
Tel. +49 7424 943-268
s.kimmich@forschner.com
www.forschner.com