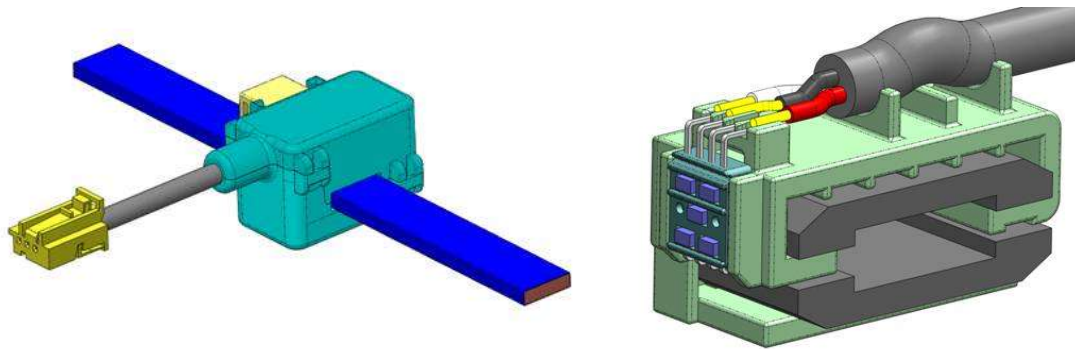


Current Sensor

Product Description

Low cost and easy to implementation were the target. The sensor has super small packaging. Mounting is not necessary since the sensor comes potted / over molded with the bus bar. We are flexible in the configuration of the wire length and additional fixation elements.

Technical Picture



Technical Data

<i>Material</i>	Polyamid 6
<i>Automotive Safety Integrity Level</i>	planned ASIL-B (ISO26262 SEooC (Safety Element out of Context))
<i>Accuracy non-linearity [%F.S.]</i>	< ± 0.5 %
<i>Precision of Hall IC</i>	
<i>Current range</i>	± 50 A to ± 200 A
<i>Temp. range [° C]</i>	-40°C to 125°C (150°C)
<i>Bandwidth [kHz]</i>	250 kHz
<i>Output signal</i>	analog (planned SPC, SENT, PWM)

Contact information

Eugen Forschner GmbH
Tel. +49 7424 943-268
s.kimmich@forschner.com
www.forschner.com